



T&S BRASS AND BRONZE WORKS, INC.

2 Saddleback Cove / P.O. Box 1088
Travelers Rest, SC 29690

Model No.

S-5120-12CRB8TP

Item No.

Travelers Rest, SC: 800-476-4103 • Simi Valley, CA: 800-423-0150 • Fax: 864-834-3518 • www.tsbrass.com

EVERSTEEL

This Space for Architect/Engineer Approval

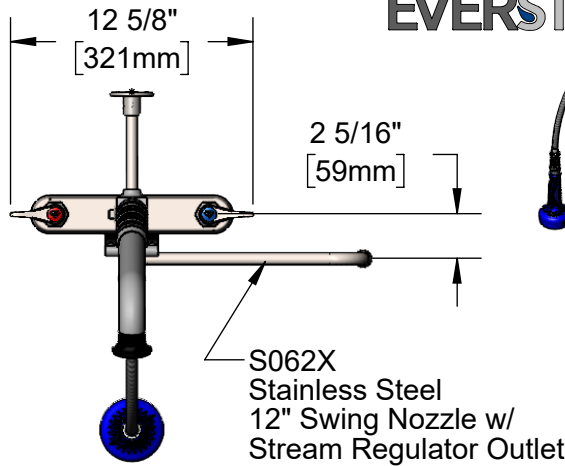
Job Name _____ Date _____

Model Specified _____ Quantity _____

Customer/Wholesaler _____

Contractor _____

Architect/Engineer _____



44" Flexible Stainless Steel
Hose w/ Spring, Air Cylinder,
Swivel & 1.07 GPM Sprayer

Pull Down
Activated Valve
w/ Auto Shut-Off
Upon Release

Items Not Shown
For Clarity

S-TEE-RGD
Tee for Accessory
Fittings

Stainless Steel
3/8" NPT x 18" Riser

12"
[305mm]

EasyInstall
Lock Nut &
Bushing

12 9/16"
[319mm]

9 7/16"
[240mm]

3 5/16"
[83mm]

8"
[203mm]

Stainless Steel
Quarter-Turn
Cerama Cartridges
w/ Check Valves &
Lever Handles w/
Color Coded Indexes

27 3/4"
[705mm]

11 1/4"
[285mm]

S-0109-01
Stainless Steel
6" Wall Bracket

46 15/16"
[1192mm]

Stainless Steel
Add-On Faucet
w/ Quarter-Turn
Cerama Cartridge
& Lever Handle

5 1/16"
[129mm]

Mounting Surface

(2) S150A
Stainless Steel
Optional Tailpieces &
Nuts For 1/4" NPT
Connections (Included)

Rough-In Requirement:
(2) ϕ 1" [25mm] Mounting Holes

Product Specifications:

Stainless Steel Pre-Rinse Unit: EasyInstall 8" Deck Mount Workboard Faucet, Quarter-Turn Cerama Cartridges w/ Check Valves, Lever Handles, Add-On Faucet w/ 12" Swing Nozzle, 18" Riser, 30" Flexible Stainless Steel Hose, 1.07 GPM Sprayer w/ Ball-Joint Swivel, Accessory Tee, 6" Wall Bracket & 1/2" NPT Female Inlets

Product Compliance:

ASME A112.18.1 / CSA B125.1
NSF 61 - Section 9
NSF 372 (Low Lead Content)
2019 DOE PRSV - Class II



T&S BRASS AND BRONZE WORKS, INC.

2 Saddleback Cove / P.O. Box 1088
Travelers Rest, SC 29690

Model No.

S-5120-12CRB8TP

Item No.

Travelers Rest, SC: 800-476-4103 • Simi Valley, CA: 800-423-0150 • Fax: 864-834-3518 • www.tsbrass.com

	ITEM NO.	SALES NO.	DESCRIPTION
	1	S019898-30	Stainless Steel 1.07 GPM Sprayer w/ Swivel
	2	108SF-RK	Spray Face Repair Kit
	3	001014-45	Washer, Hose Barrel
	4	S005221-30	Stainless Steel 7/8 x 1/2" BSSP Adapter
	5	021046-45	Stainless Steel Ball-Joint Swivel
	6	019901-45	30" Stainless Steel Braided Hose w/ 1/2" NPSM Threads
	7	020062-45	Air Cylinder Repair Kit
	8	020060-45	Spring & Tube Repair Kit
	9	020061-45	Valve Stem Repair Kit
	10	020063-45	Valve Body Repair Kit
	11	S001359-30	SS Bushing, 1/2 MNPT x 3/8 FNPT
	12	S-TEE-RGD	Stainless Steel 3/8" NPT Rigid Tee
	13	S-0109-01	Stainless Steel 6" Wall Bracket
	14	S000369-30	Stainless Steel 3/8" NPT x 18" Riser
	15	SEZ-K	Stainless Steel EasyInstall Kit: Nut, Bushing, O-Ring & Lock Washer
	16	018506-19NS	Blue Button Index, Press-in
	17	000925-45	Lab Handle Screw
	18	S012395-30NS	Stainless Steel Quarter-Turn Cerama Cartridge w/ Check Valve, LTC
	19	S012447-30NS	Stainless Steel Quarter-Turn Cerama Cartridge w/ Check Valve, Handle, Blue Index & Screw, LTC
	20	S019376-30	Stainless Steel Escutcheon Lock Nut
	21	S019375-30	8" c/c Stainless Steel Escutcheon
	22	S000999-20	Stainless Steel Lock Washer
	23	S002954-20	Shank Lock Nut
	24	S150A	1/4" NPT Stainless Steel Tailpiece & Nut
	25	S012446-30NS	Stainless Steel Quarter-Turn Cerama Cartridge w/ Check Valve, Handle, Red Index & Screw, RTC
	26	S012394-30NS	Stainless Steel Quarter-Turn Cerama Cartridge w/ Check Valve, RTC
	27	S001638-30NS	Stainless Steel Lever Handle (New Style)
	28	001193-19NS	Red Button Index, Press-in
	29	S-0155-CR-LNEZ	Stainless Steel EasyInstall Add-On Faucet w/ Cerama Cartridge & Lever Handle (Less Nozzle)
	30	S062X	Stainless Steel 12" Swing Nozzle
	31	S-PT	Stainless Steel Full Flow Stream Regulator, 55/64-27
	32	020064-45	PRU Control Valve Seal Repair Kit
	33	S021047-30	Hose, Sprayer & Swivel

Product Specifications:

Stainless Steel Pre-Rinse Unit: EasyInstall 8" Deck Mount Workboard Faucet, Quarter-Turn Cerama Cartridges w/ Check Valves, Lever Handles, Add-On Faucet w/ 12" Swing Nozzle, 18" Riser, 30" Flexible Stainless Steel Hose, 1.07 GPM Sprayer w/ Ball-Joint Swivel, Accessory Tee, 6" Wall Bracket & 1/2" NPT Female Inlets

Product Compliance:

ASME A112.18.1 / CSA B125.1
NSF 61 - Section 9
NSF 372 (Low Lead Content)
2019 DOE PRSV - Class II